

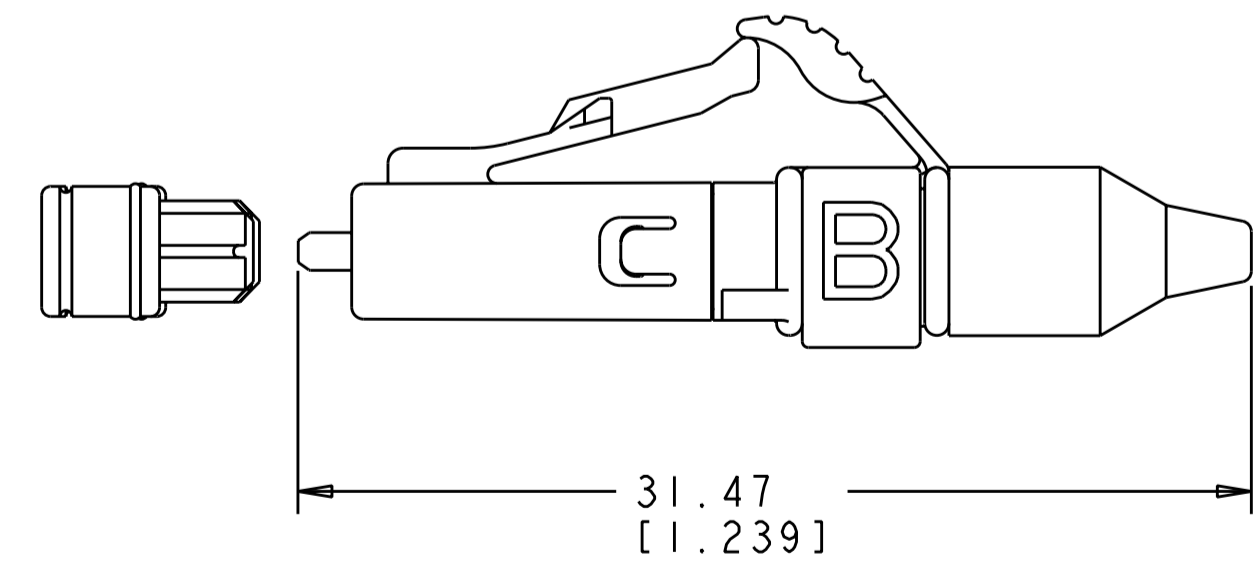
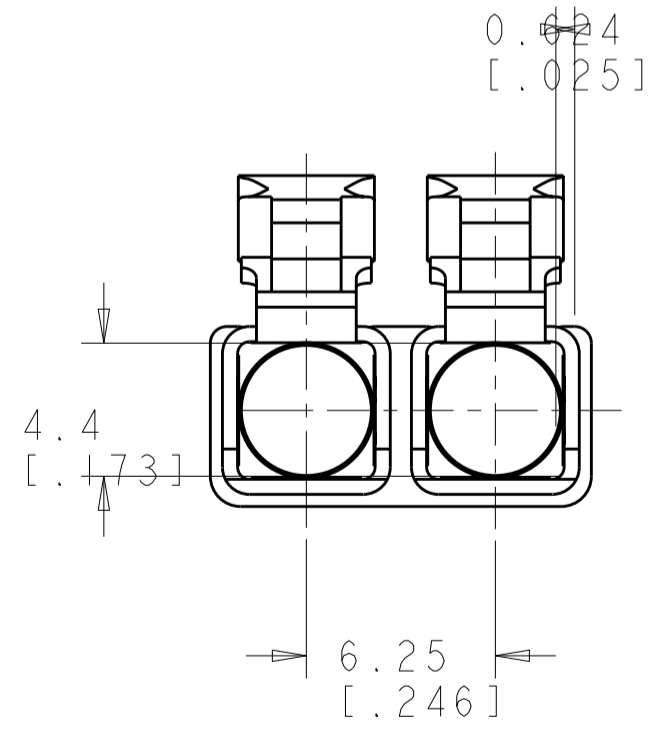
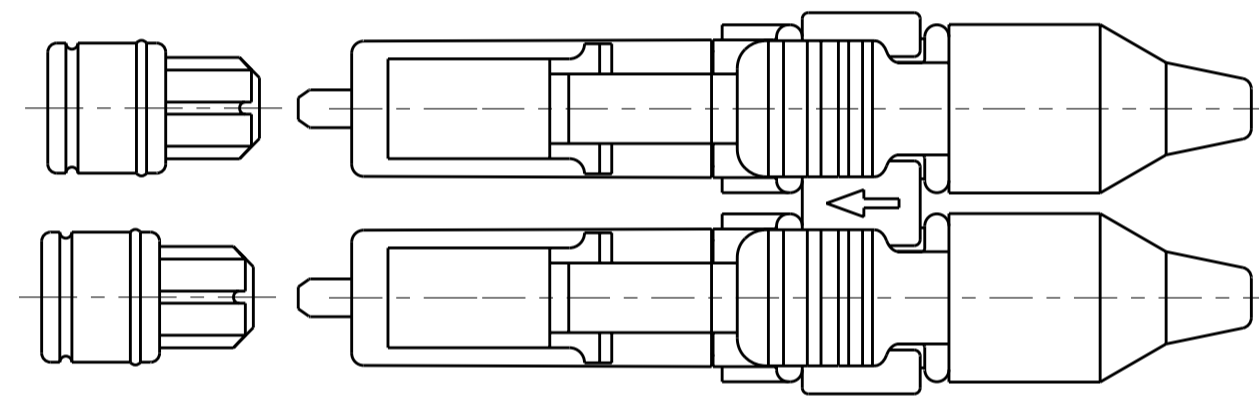
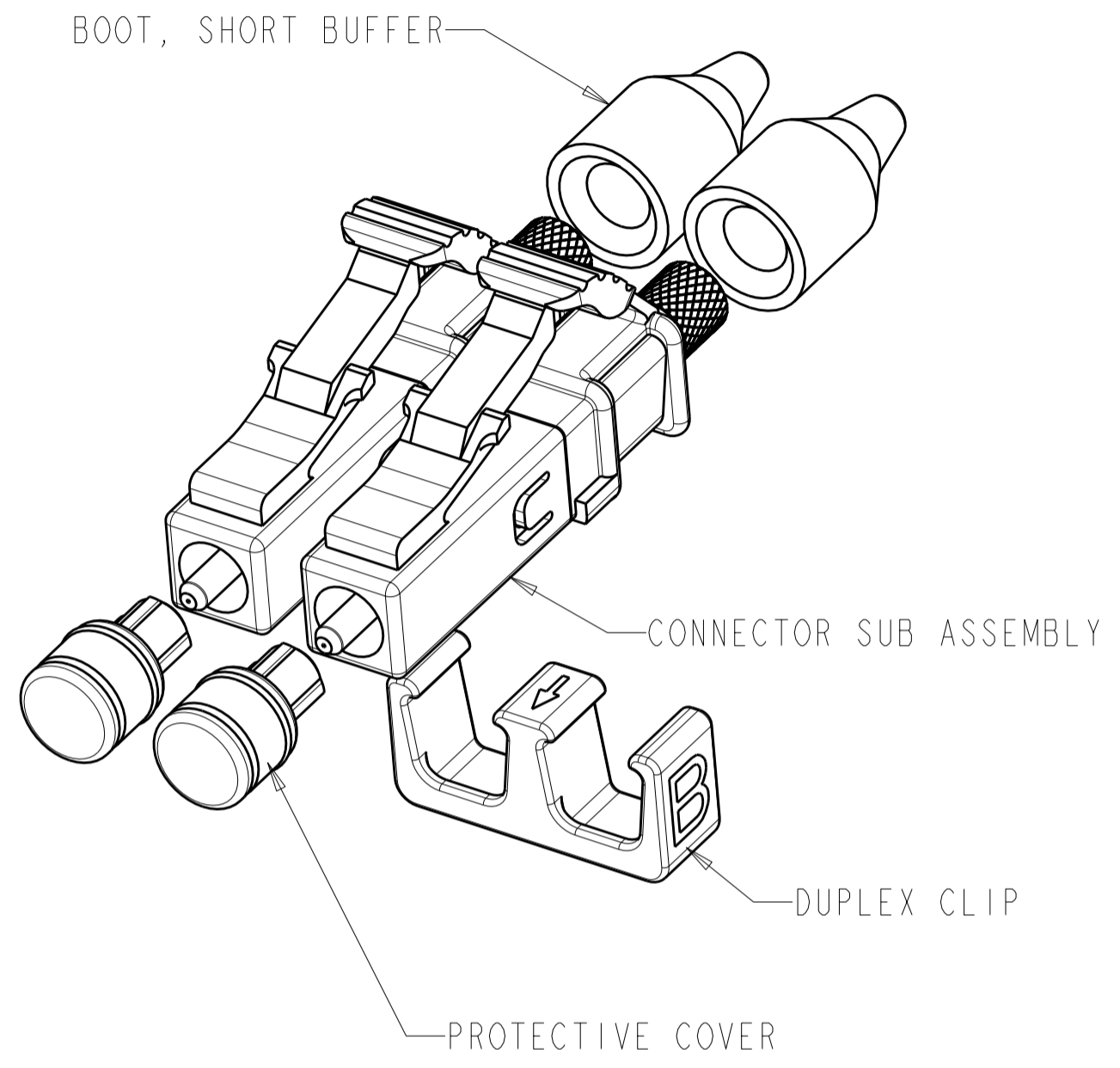
THIS DRAWING IS UNPUBLISHED. RELEASED FOR PUBLICATION 20  
 © COPYRIGHT 20 BY TYCO ELECTRONICS CORPORATION. ALL RIGHTS RESERVED.

LOC	DIST	REVISIONS					
CE	00	P	LTR	DESCRIPTION	DATE	DWN	APVD
			A	RELEASE TO ACTIVE STATUS	09JUN2006	ESM	DR

⚠ MATERIAL: PROTECTIVE COVER : TPE, COLOR:BLACK, UL 94 HB. \*  
 FERRULE SUB ASSEMBLY: ZIRCONIA/METAL.  
 COMPRESSION SPRING: STAINLESS STEEL.  
 FRONT HOUSING: PEI, COLOR:BEIGE, UL 94 V-0. \*  
 INNER TUBING: PTFE, COLOR:CLEAR, UL VW-1.  
 REAR BODY: PEI/METAL, COLOR:BEIGE, UL 94 V-0. \*  
 DUPLEX CLIP: PEI, COLOR:BEIGE, UL 94 V-0.\*  
 BOOT: TPE, COLOR:BEIGE, UL 94 V-0. \*  
 \*RATED AT QUALIFYING THICKNESS.

⚠ BULK PACKAGED

3. INSTRUCTION SHEET: 408-8675.



⚠	6588708-2
	6588708-1
	PART NUMBER

THIS DRAWING IS A CONTROLLED DOCUMENT FOR TYCO ELECTRONICS CORPORATION. IT IS SUBJECT TO CHANGE AND THE CONTROLLING ENGINEERING ORGANIZATION SHOULD BE CONTACTED FOR THE LATEST REVISION.		DWN E. HOPKINS 01 JUN 2005	Tyco Electronics Harrisburg, PA 17105-3608	
DIMENSIONS: MM/[IN]		CHK D. ROHDE 01 JUN 2005	NAME CONNECTOR KIT, LC, DUPLEX MM, BUFFER	
TOLERANCES UNLESS OTHERWISE SPECIFIED: 0 PLC ± 1 PLC ±0.1/[.004] 2 PLC ±0.01/[.0004] 3 PLC ± 4 PLC ± ANGLES ± FINISH		APVD S. BUCHTER 01 JUN 2005	RESTRICTED TO	
MATERIAL		PRODUCT SPEC	SIZE A2	CAGE CODE 00779
⚠		APPLICATION SPEC	DRAWING NO 6588708	REV A
CUSTOMER DRAWING		WEIGHT	SCALE 4:1	SHEET 1 OF 1